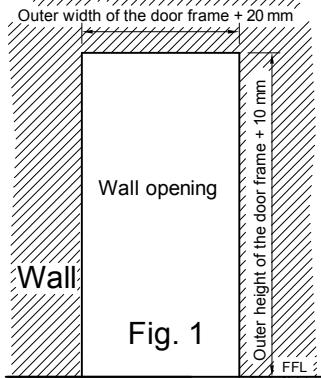
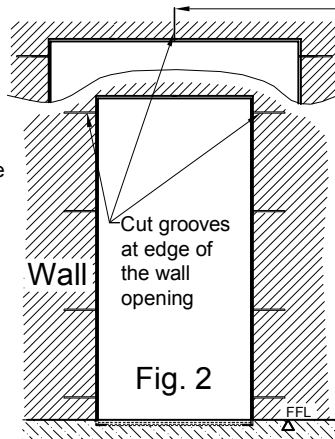


CLASSIC STEEL

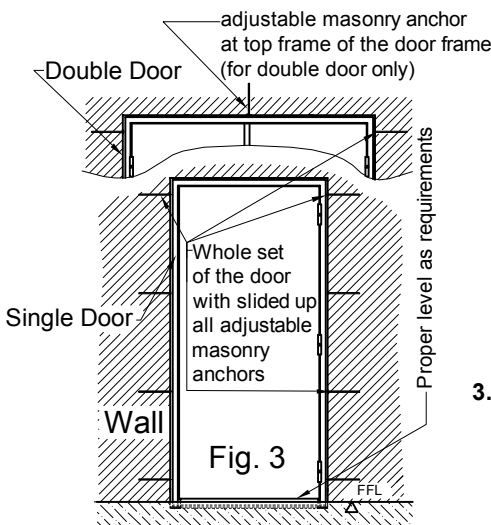
Installation Instruction of Fire Steel Door with Adjustable Masonry Anchor



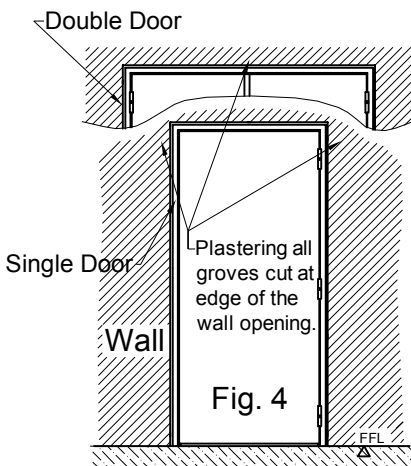
1. Prepare wall opening for installation of fire steel door to get size as follows :
 - Width = Outer width of the door frame + 20 mm.
 - Height = Outer height of the door frame (height from FFL to top of the door frame) + 10 mm.
 - Make groove at the floor, width and depth as appropriate (for embedding of bottom channel or threshold/bottom frame)
 As shown on Fig. 1



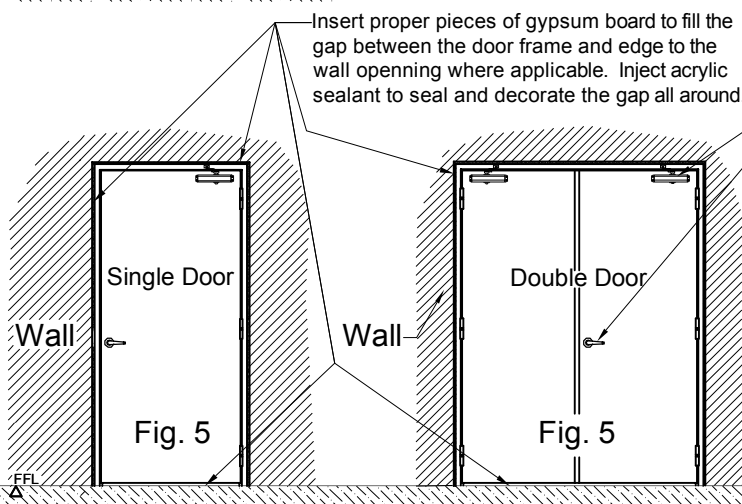
2. Cut grooves at edge of the wall opening at the same location of all adjustable masonry anchors of the door frame. As shown on Fig. 2



3. Slide up all adjustable masonry anchors to be perpendicular with the door frame and adjust them to be right position with the grooves cut at edge of the wall opening, then bring whole set of the door to put into the wall opening. Close the door leaf and adjust level of bottom edge of the door leaf to proper level as requirements by supporting beneath the bottom edge of the door frame with some pieces of carton box of the door. Adjust the door leaf and door frame to get plane with the wall and the gap between the door leaf and the door frame to be consistent all around. Then stuff the gap between the door frame and edge of the wall opening by some pieces of carton box of the door to temporarily secure whole set of the door with the wall opening. As shown on Fig. 3



4. Plastering all grooves cut at edge of the wall opening. Wait until the plaster has been settled completely. Remove all pieces of carton box stuffed the gap between the door frame and edge of the wall opening. As shown on Fig. 4



5. Insert proper pieces of gypsum board to fill the gap between the door frame and edge to the wall opening where applicable. Inject acrylic sealant to seal and decorate the gap all around. Then install door hardware as requirements. As shown on Fig. 5